

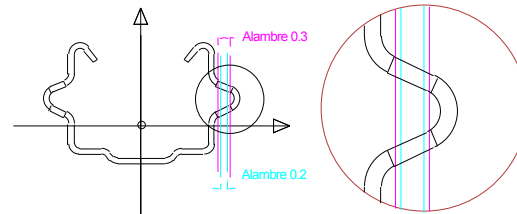
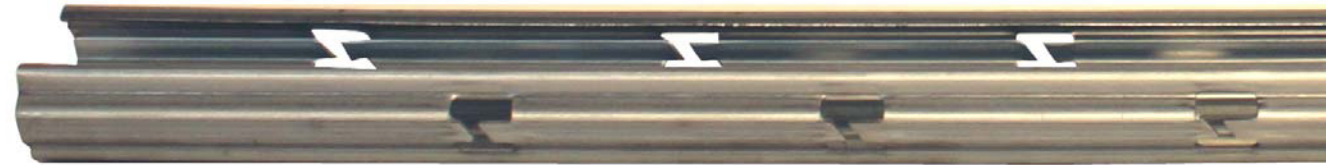
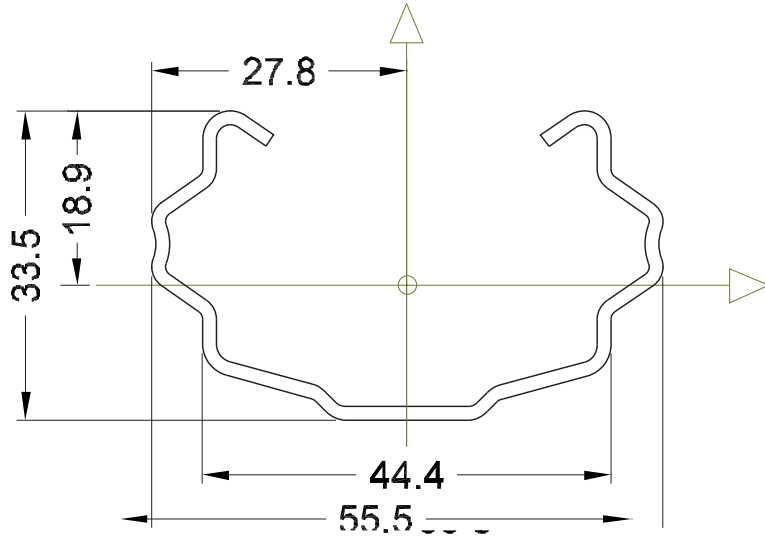
INTERMEDIATE POST

STEEL: S280GD - S350GD

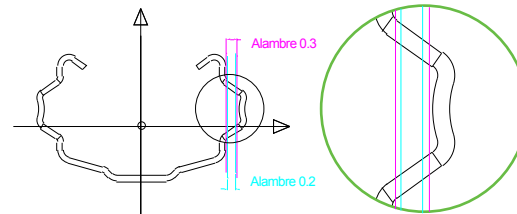
GALVANIZATION: Z275 g/m², - ZM195 - STAINLESS STEEL

LENGTH: 1.8mm - 2mm - 2.2mm

THICKNESS: 1.5 mm - 1.8 mm



otros poste



poste Agravid

